



The NEAT Series

Neon Easy Access Transformers

P8G-2B

The Transformed Transformer



P8G-2B Features

- > **Ease of installation** – Patented angled bushings allow for greater visibility and ease of access to electrical connections, LED and service button. Doesn't block mounting screws and the step plate eliminates double-nutting.
- > **Built in carrying handle**
- > **Primary wiring requirements of a non-SGFP** – With the added safety of a Secondary Ground Fault Protection with easy wire nut connections.
- > **User friendly** – Adapts to most grounding situations.
- > **Easy wiring methods** – Virtual ground and series wiring methods.
- > **Secondary Ground Fault Protection (SGFP)** – Disables unit upon detection of arcs to ground in compliance with UL2161, CSA C22.2 NO. 255 and NEC requirements.
- > **Visible advanced diagnostic LED** – Faster, easier troubleshooting is provided by an intelligent circuit that detects both primary and secondary faults and communicates the reason for service using the on-board LED.
- > **Auto reset** – After secondary ground fault, automatically attempts to reset three times within ten seconds. Manual reset possible any time, by disconnecting primary power.
- > **Last Fault Recall** – Allows service technician to retrieve the last fault experienced, even after the fault condition has been cleared.
- > **Bypass feature** – For easy troubleshooting of ground faults and primary wiring problems. Overrides the SGFP for up to 30 minutes.
- > **Can be used in flashing/dimming applications***

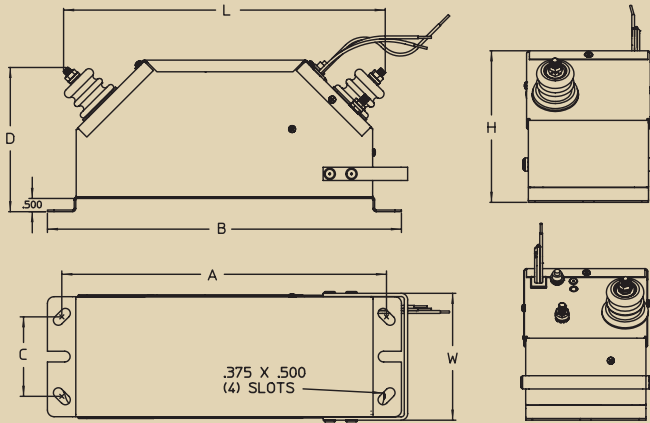
* UL does not have listing requirements for transformers that are remotely dimmed or flashed.

The NEAT Series

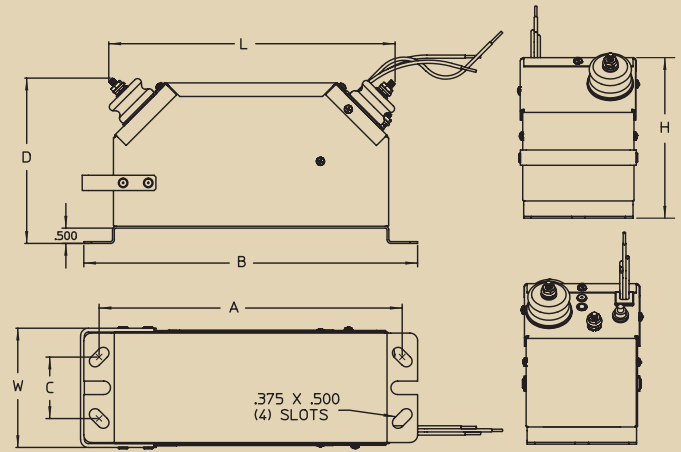
Neon Easy Access Transformers

P8G-2B

The Transformed Transformer



15030 • 12030 • 10530 • 9060 • 7560 • 6060 • 5060



9030 • 7530 • 6030 • 5030 • 4030 • 4060

NORMAL POWER FACTOR

Catalog Number	UL/CSA	VAC	Hz	Secondary		Primary V.A.	Input Amps	Wt. Lbs.	Dimensions						
				Volts	mA				L	W	H	A	B	C	D
15030 P8G-2B	*	120	60	15000	30	475	3.95	23	12.13	4.79	5.72	12.23	13.36	3.00	5.50
12030 P8G-2B	*	120	60	12000	30	380	3.15	22	12.13	4.79	5.72	12.23	13.36	3.00	5.50
10530 P8G-2B	+	120	60	10500	30	320	2.65	22	12.13	4.79	5.72	12.23	13.36	3.00	5.50
9030 P8G-2B	*	120	60	9000	30	300	2.50	14	9.22	3.89	5.25	9.87	10.87	2.00	5.38
7530 P8G-2B	*	120	60	7500	30	250	2.10	14	9.22	3.89	5.25	9.87	10.87	2.00	5.38
6030 P8G-2B	+	120	60	6000	30	200	1.65	14	9.22	3.89	5.25	9.87	10.87	2.00	5.38
5030 P8G-2B	+	120	60	5000	30	170	1.40	14	9.22	3.89	5.25	9.87	10.87	2.00	5.38
4030 P8G-2B	+	120	60	4000	30	140	1.15	14	9.22	3.89	5.25	9.87	10.87	2.00	5.38
9060 P8G-2B	*	120	60	9000	60	595	4.95	25	12.13	4.79	5.72	12.23	13.36	3.00	5.50
7560 P8G-2B	+	120	60	7500	60	475	3.95	24	12.13	4.79	5.72	12.23	13.36	3.00	5.50
6060 P8G-2B	+	120	60	6000	60	380	3.15	22	12.13	4.79	5.72	12.23	13.36	3.00	5.50
5060 P8G-2B	+	120	60	5000	60	320	2.65	22	12.13	4.79	5.72	12.23	13.36	3.00	5.50
4060 P8G-2B	+	120	60	4000	60	265	2.20	14	9.22	3.89	5.25	9.87	10.87	2.00	5.38
15030 P8G-2B	*	277	60	15000	30	500	1.80	23	12.13	4.79	5.72	12.23	13.36	3.00	5.50
12030 P8G-2B	*	277	60	12000	30	400	1.45	22	12.13	4.79	5.72	12.23	13.36	3.00	5.50
10530 P8G-2B	+	277	60	10500	30	330	1.20	22	12.13	4.79	5.72	12.23	13.36	3.00	5.50
9030 P8G-2B	*	277	60	9000	30	305	1.10	14	9.22	3.89	5.25	9.87	10.87	2.00	5.38
7530 P8G-2B	*	277	60	7500	30	250	0.90	14	9.22	3.89	5.25	9.87	10.87	2.00	5.38
6030 P8G-2B	+	277	60	6000	30	210	0.75	14	9.22	3.89	5.25	9.87	10.87	2.00	5.38
5030 P8G-2B	+	277	60	5000	30	165	0.60	14	9.22	3.89	5.25	9.87	10.87	2.00	5.38
4030 P8G-2B	+	277	60	4000	30	140	0.50	14	9.22	3.89	5.25	9.87	10.87	2.00	5.38
9060 P8G-2B	*	277	60	9000	60	595	2.15	25	12.13	4.79	5.72	12.23	13.36	3.00	5.50
7560 P8G-2B	+	277	60	7500	60	500	1.80	23	12.13	4.79	5.72	12.23	13.36	3.00	5.50
6060 P8G-2B	+	277	60	6000	60	400	1.45	22	12.13	4.79	5.72	12.23	13.36	3.00	5.50
5060 P8G-2B	+	277	60	5000	60	330	1.20	22	12.13	4.79	5.72	12.23	13.36	3.00	5.50
4060 P8G-2B	+	277	60	4000	60	240	0.87	14	9.22	3.89	5.25	9.87	10.87	2.00	5.38

* cULus listed; CSA certified + cULus listed; CSA pending

For these products
visit your local
FRANCE distributor.

For listing of FRANCE distributors visit:
www.franceformer.com