
FRANCE

PBKMG-751
PBKMG-734

**Outdoor Non-weatherproof
Mini Internal Mount
Electrode Housing**



PBKMG-751



PBKMG-734

- ◆ UL 2161 Recognized Component
- ◆ Pre-wired Primary
- ◆ Ideal for Shallow Profile Individual Self-Contained Letters
- ◆ Small Case Size Allows for Small Spaces
- ◆ Available in 2 Styles - 751 & 734
- ◆ Heavy Duty Steel Construction



www.franceformer.com

2268 Fairview Blvd PO Box 300 Fairview, TN 37062 voice 615-799-0551 fax 615-799-9670

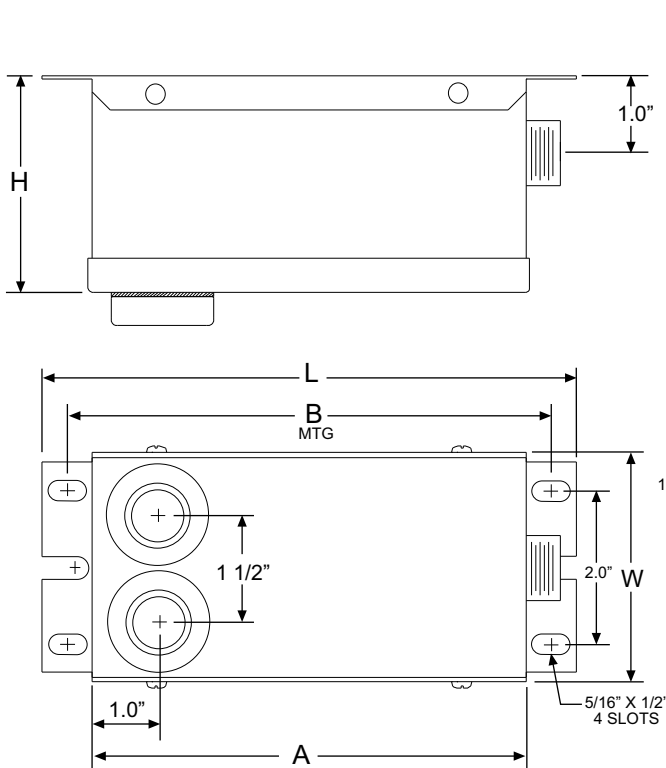
PBKMG-751 PBKMG-734

Outdoor Non-weatherproof Mini Internal Mount Electrode Housing

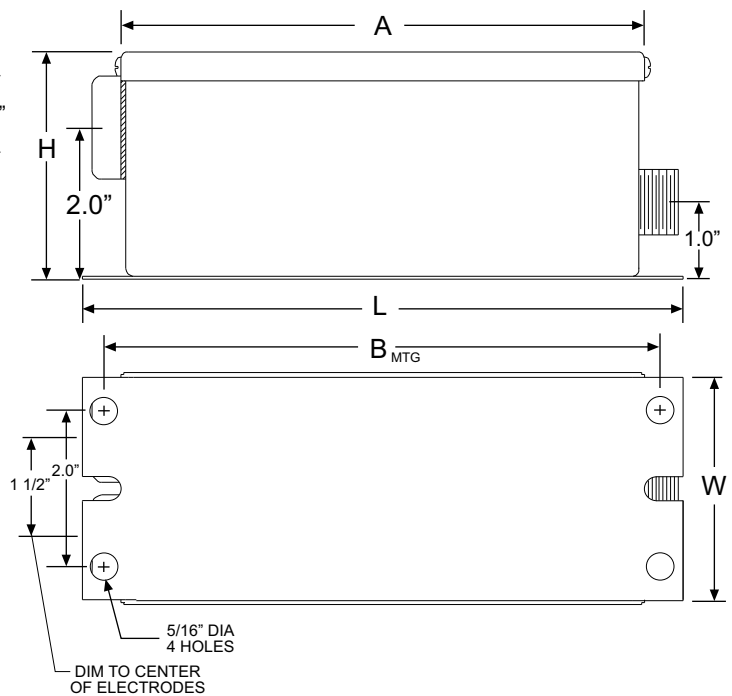
NORMAL POWER FACTOR										
Catalog Number	Secondary		Primary VA	Input Amp	Wt lbs	Dimensions in Inches				
	Volts	mA				L	W	H	A	B
❖ 5030 PBKMG-734	5000	30	160	1.34	7	7.75	2.875	2.937	6.750	7.250
❖ 4030 PBKMG-734	4000	30	140	1.17	7	7.75	2.875	2.937	6.750	7.250
● 3030 PBKMG-734	3000	30	100	.85	7	7.75	2.875	2.937	6.750	7.250
❖ 5030 PBKMG-751	5000	30	160	1.34	7	7.00	3.000	2.828	5.800	6.314
❖ 4030 PBKMG-751	4000	30	140	1.17	7	7.00	3.000	2.828	5.800	6.314
● 3030 PBKMG-751	3000	30	100	.85	7	7.00	3.000	2.828	5.800	6.314

- ❖ Secondary - Unbalanced Mid-point Ground
- Secondary - One End Ground

PBKMG-751



PBKMG-734



6/25/03

FRANCE
a Scott Fetzer company

email: france@franceformer.com

02/210/06