

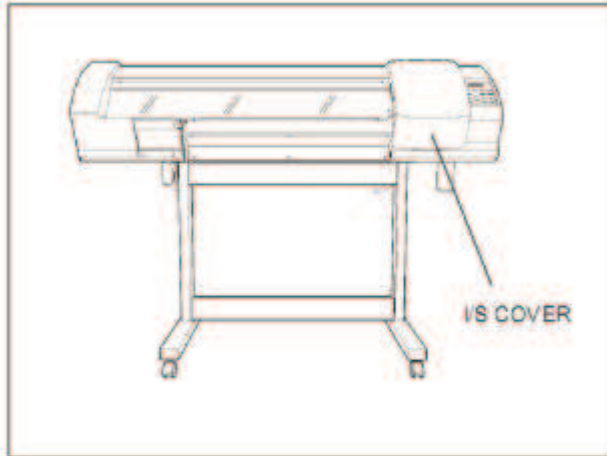
Kevin Thomason

To: TechSupport

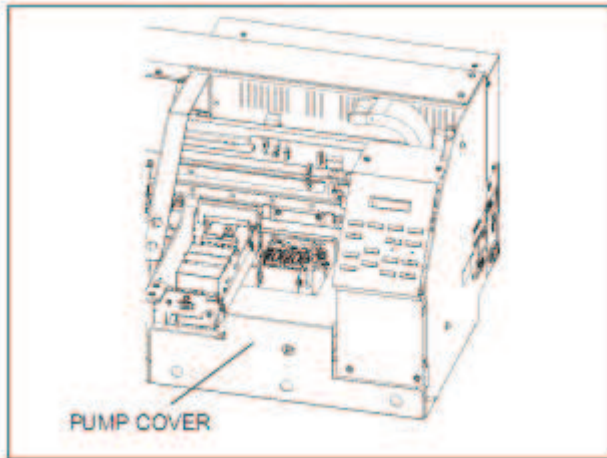
Subject: RE: Denco Tech Support call #5147 - Roland cap top instructions

SP-300 CAP TOP REPLACEMENT PROCEDURE

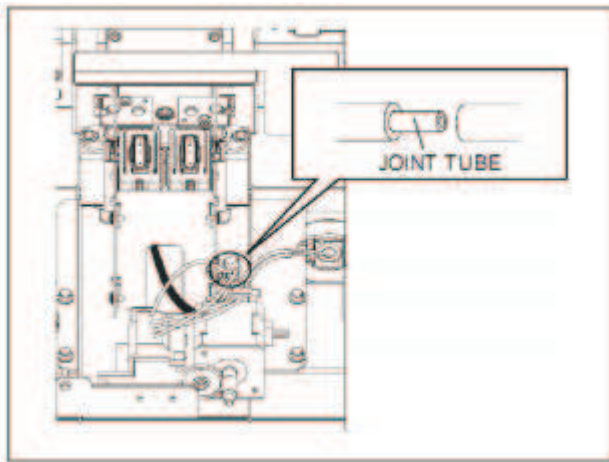
- 1) Enter into Manual Cleaning or Wiper Replacement mode to move the print carriage to the left.
- 2) Remove the I/S Cover.



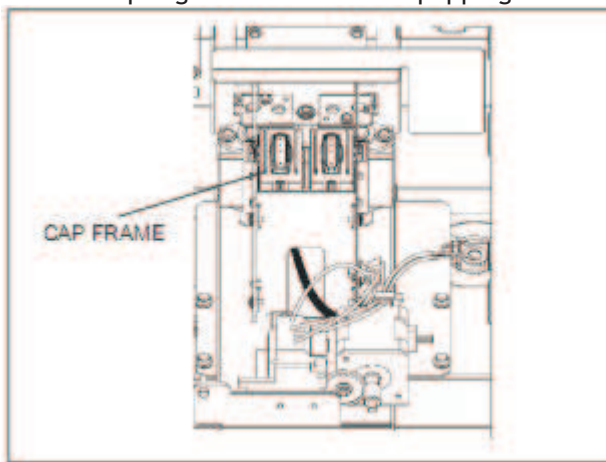
- 3) Remove the pump cover.



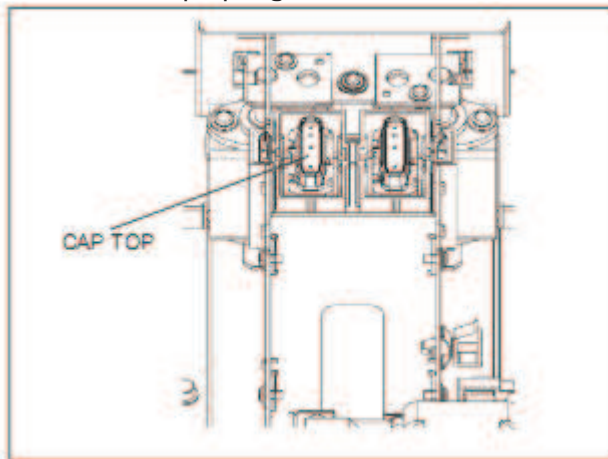
- 4) Disconnect the tube of the cap top from the tube of the pump. Keep the joint tube for connecting the tube of the new captop. (Make sure to replace the captops one by one to prevent connecting to the wrong tubes.)



5) Unhook the black Cap Frame and remove it. Make sure to hold the Cap Frame and remove it slowly to prevent the springs underneath from popping out.



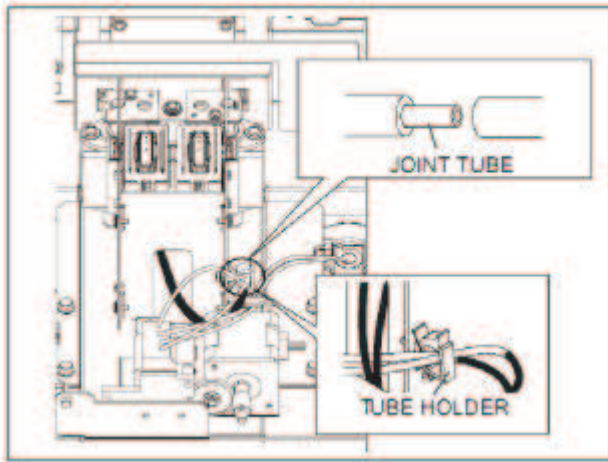
6) Remove the captop together with the tube.



7) Place the new captop so that the tube side faces to the front. Make sure the springs are properly seated under the captop. Be careful not to touch the sponge.

8) Replace the Cap Frame and make sure that the cap is seated correctly.

9) Connect the tube of the new cap top to the tube of the pump using the joint tube. Be sure to turn the tube holder in the correct position and secure the tube as indicated in the illustration.



10) Replace the pump cover and the I/S cover.

11) Exit the Maintenance Cleaning or Wiper Replacement mode to return the print carriage to the capping position.