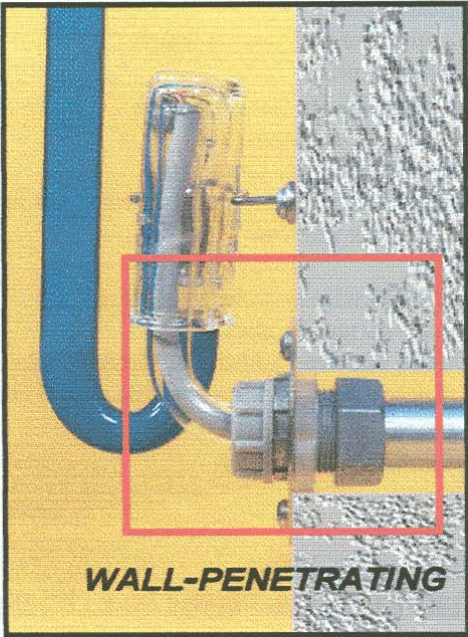


C.P.A.™

Conduit Plug Assembly



WALL-PENETRATING

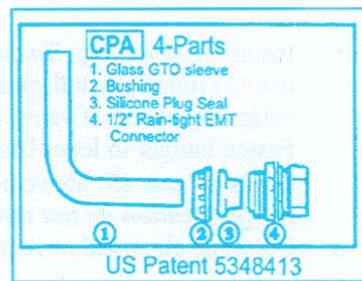
TECHNICAL DATA

800-314-6366 toll free US & Canada



Low maintenance

Simple assembly

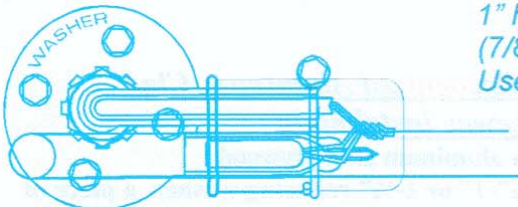


4- parts:

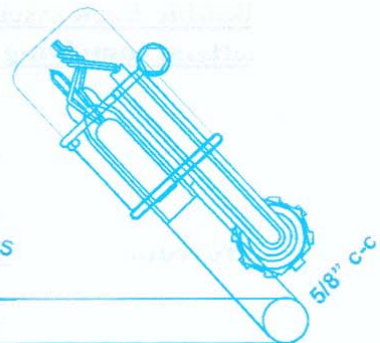
- 1- 90° bent 12mm glass sleeve to shield & insulate exposed GTO wire
- 2- Covering bushing
- 3- Patented silicone sealing-plug
- 4- 1/2" weather-tight EMT connector

The **only** noncombustible wall-penetrating housing assembly for neon double-back electrodes **UL-Listed** for **WET** location

* If not using metal backing, use a metal back-plate to hold in place



1" hole (oversized)
(7/8" into metal)
Use with 1-3/4" tube supports



In **DAMP** or **DRY** location G* cup may be mounted at any angle & may use flex connector & flex conduit to penetrate the wall.

* Must use glass G* cups to cover the exposed connection for longevity and safety. O-ring may be deleted to allow additional flexibility in installation.

In **WET** location, the closed end of the G* cup must be at least 45° above horizontal & must use 1/2" weather-tight emt connector & emt through the wall.

Templates for patterns & installation are supplied with each box of the product