

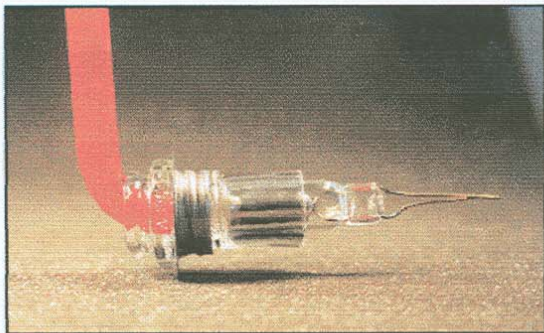
**ABSKO Products**

# TECHNICAL DATA

800-314-6366 toll free US & Canada

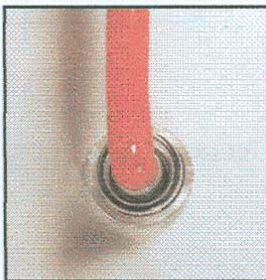
## Casino Bushing®

Visit our new web-site  
Download pdf file for  
computer or printer  
[www.absko.com](http://www.absko.com)

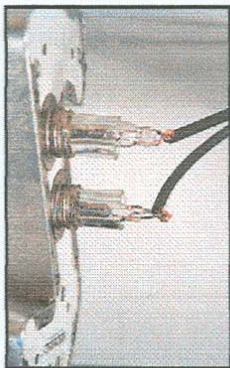
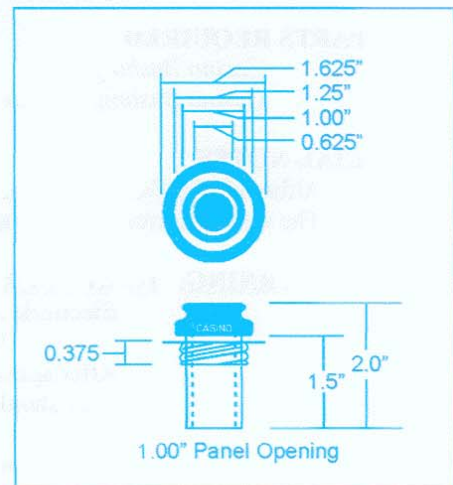


*Borosilicate Glass & Metal Ferrule*

**1999 NEC 600-42(e)**  
Bushings  
*Where electrodes  
penetrate an enclosure,  
bushings listed for the  
purpose shall be used,  
unless receptacles are  
provided*



*Very **small bushing** for  
narrow, small channel  
letters... Or where  
the "hardware" should  
not be seen...*



*...Twist wires*

Use 10-13mm electrodes  
I.D. 16mm opening  
Drill 1" hole

**very Simple...very Small...very Safe**

**UL**  
SIGN ACCESSORY  
Component 7J93

7500 volt (15000 volt midpoint return transformer)

For use in a Damp or Dry  
location into an enclosure