

WESTRIM™

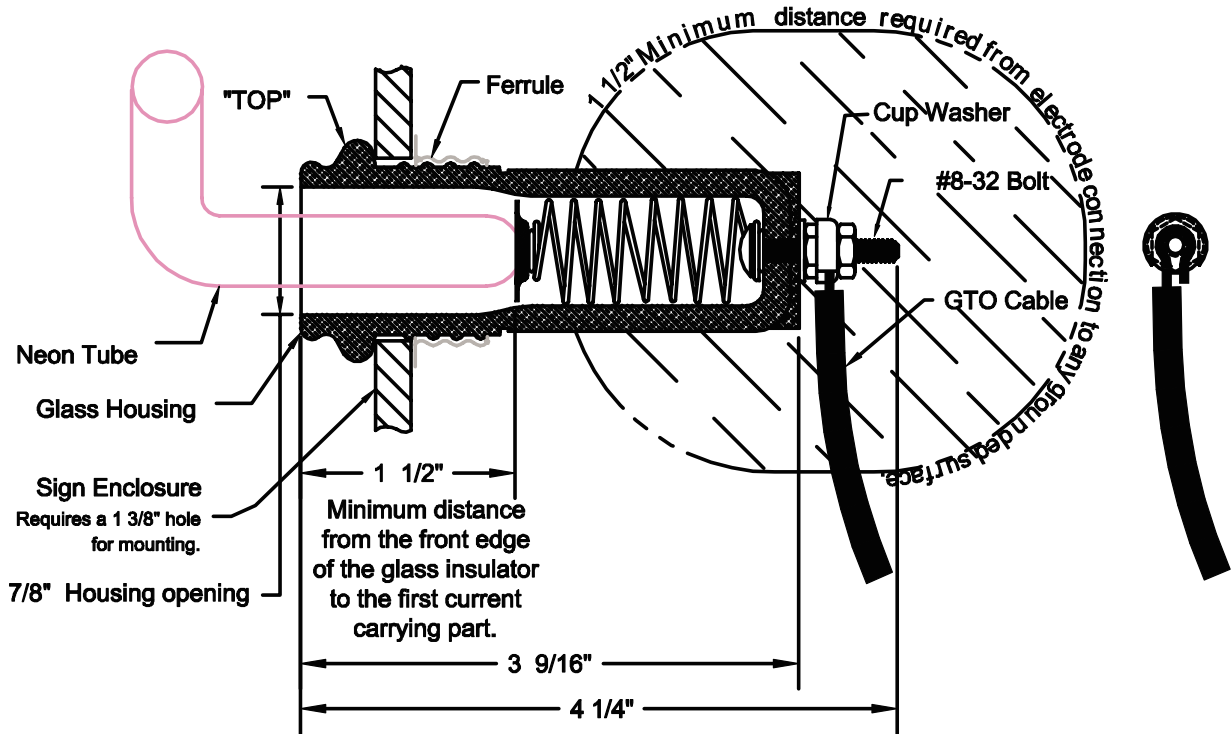
PRODUCTS

A FRANCE COMPANY

GH200 Glass Housing

Part Number: 38000 Cat#: GH200

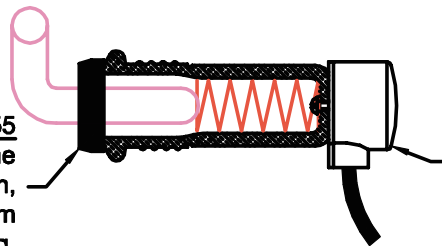
The GH200 Glass Housing provides an affordable, safe method for making neon connections. It is made of borosilicate heat resistant glass. The spring contact allows for neon tubes to be easily serviced. It is rated for 7,500 V applications including 15,000 V mid-point referenced transformer installations and comes with a plated steel ferrule to secure the unit to the sign enclosure.



1. Mount the housing in a horizontal position with the "TOP" indicator up as shown or with the opening below the body to allow for drainage of moisture that may condense inside the unit.
2. Make sure that all minimum distance requirements have been achieved.
3. Wrap the stripped GTO wire once around the screw as shown, under the cup washer. Tighten nut.

Available Accessories:

Silicone Cap, P/N: 38055
Place cap over the end of the glass housing to prevent rain, snow, bugs, and dust from entering the housing.



Housing Cap, P/N: 38056

Provides an effective insulating cover for the GTO connection to the glass housing. It is suitable for use in dry and damp locations and is rated for 7,500 V applications including 15,000V mid-point referenced transformer installations.



These products are Listed to applicable U.S. and Canadian standards and requirements by Underwriters Laboratories, Inc.



WARNING

Failure to comply with the required spacing and orientation may result in a potential fire hazard or electrical shock.